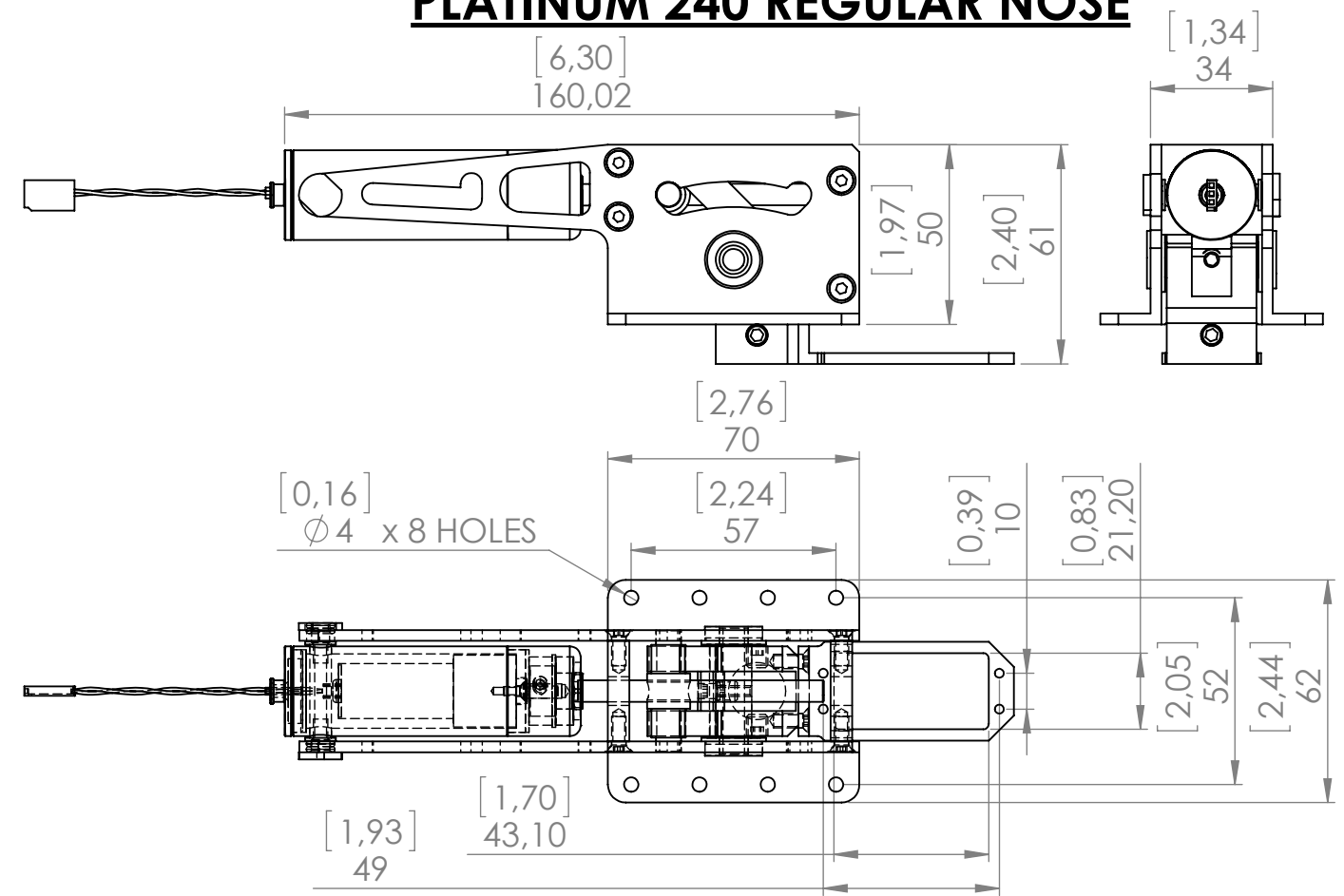


PLEASE NOTE:

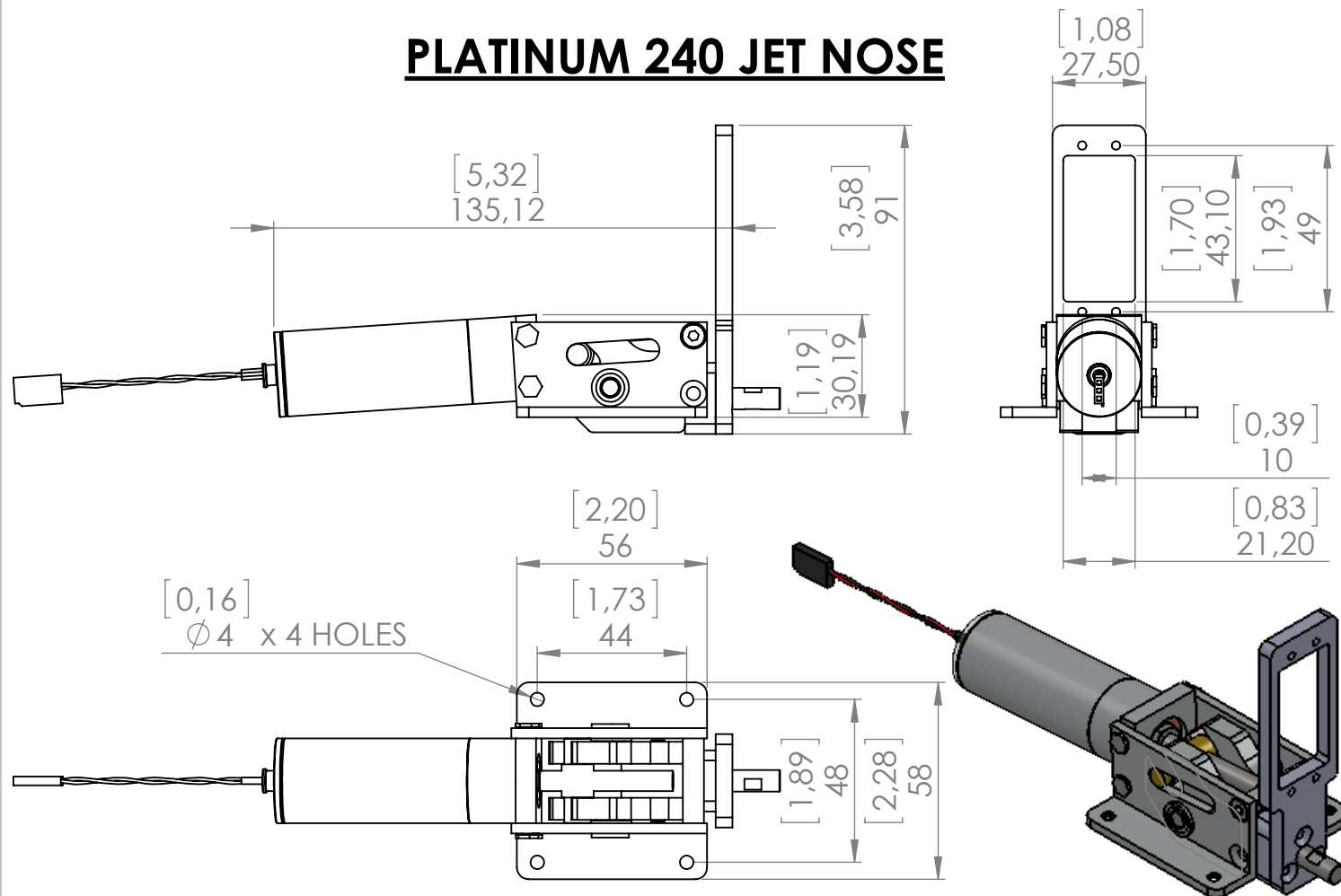
DIMENSIONS ARE IN MILLIMETERS


DIMENSIONS IN BRACKETS ARE IN INCHES

PLATINUM 240 REGULAR NOSE



PLATINUM 240 JET NOSE



UNLESS OTHERWISE SPECIFIED: DIMENSIONS ARE IN MILLIMETERS SURFACE FINISH: MACHINE TOLERANCES: LINEAR: 0.5 ANGULAR: 1			FINISH: N/A	DEBUR AND BREAK SHARP EDGES	DO NOT SCALE DRAWING	REVISION: 00	
NAME	SIGNATURE	DATE	 DOWN AND LOCKED The Best in R/C Landing Gear		TITLE: PLATINUM SERIES 240 NOSE		
DRAWN	N. vd Merwe	2017/03/06			DWG NO. P240N		A3
CHK'D					SCALE: 1:2		SHEET 1 OF 1
APPV'D					WEIGHT: g		
MFG					THIS DRAWING AND DESIGN REMAINS THE PROPERTY OF DOWN AND LOCKED PTY (LTD) AND MAY NOT BE REPRODUCED WITHOUT THE WRITTEN CONSENT OF DOWN AND LOCKED PTY (LTD)		