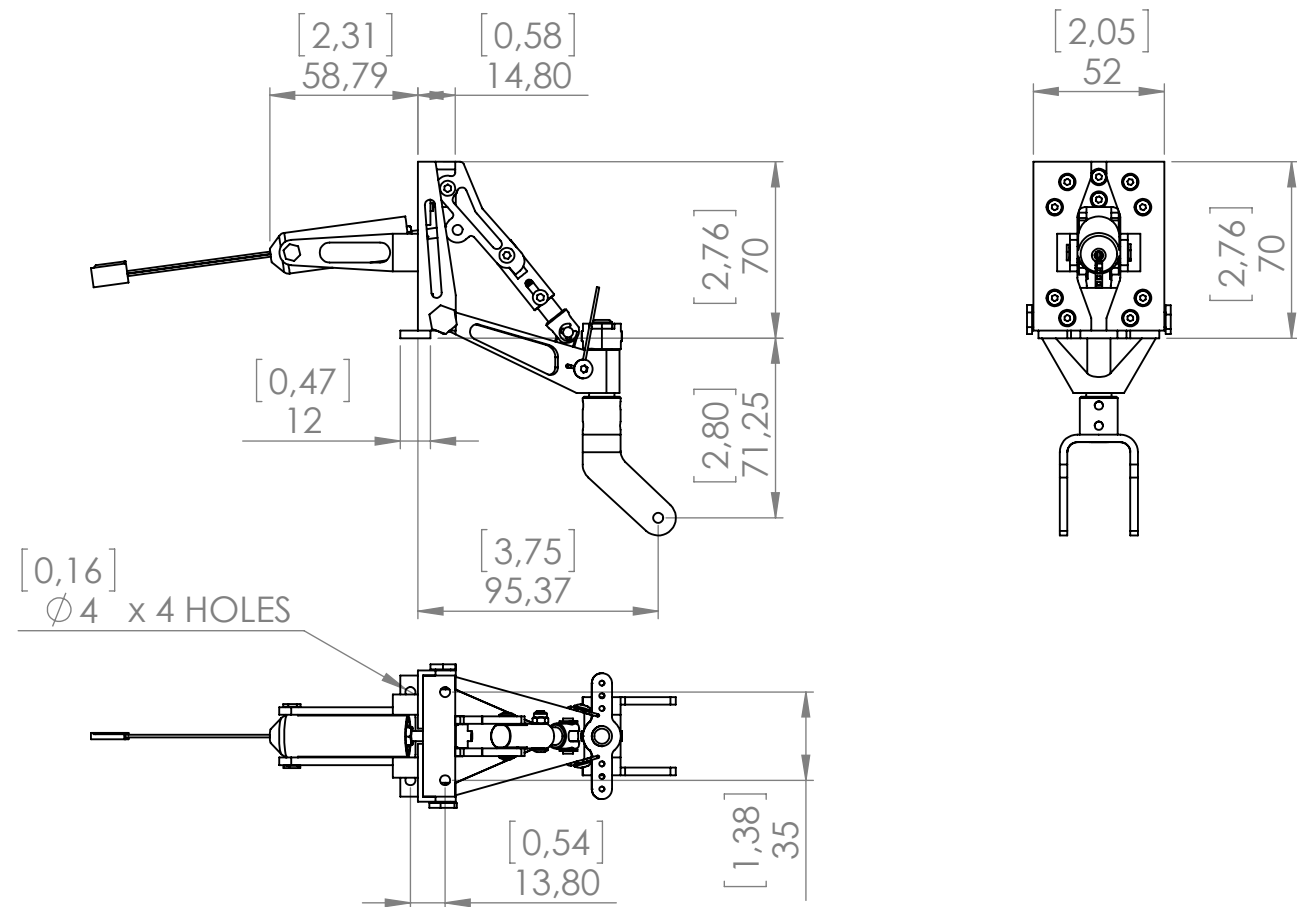
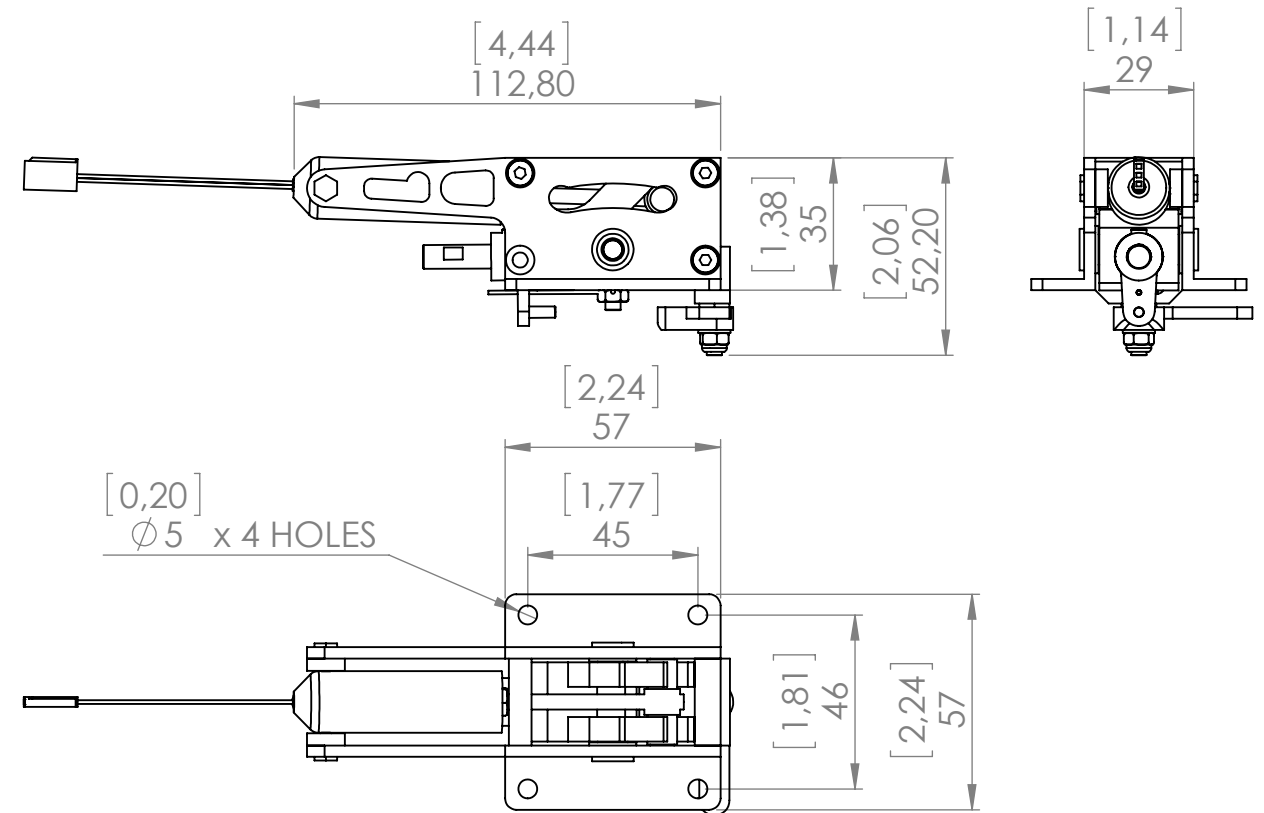


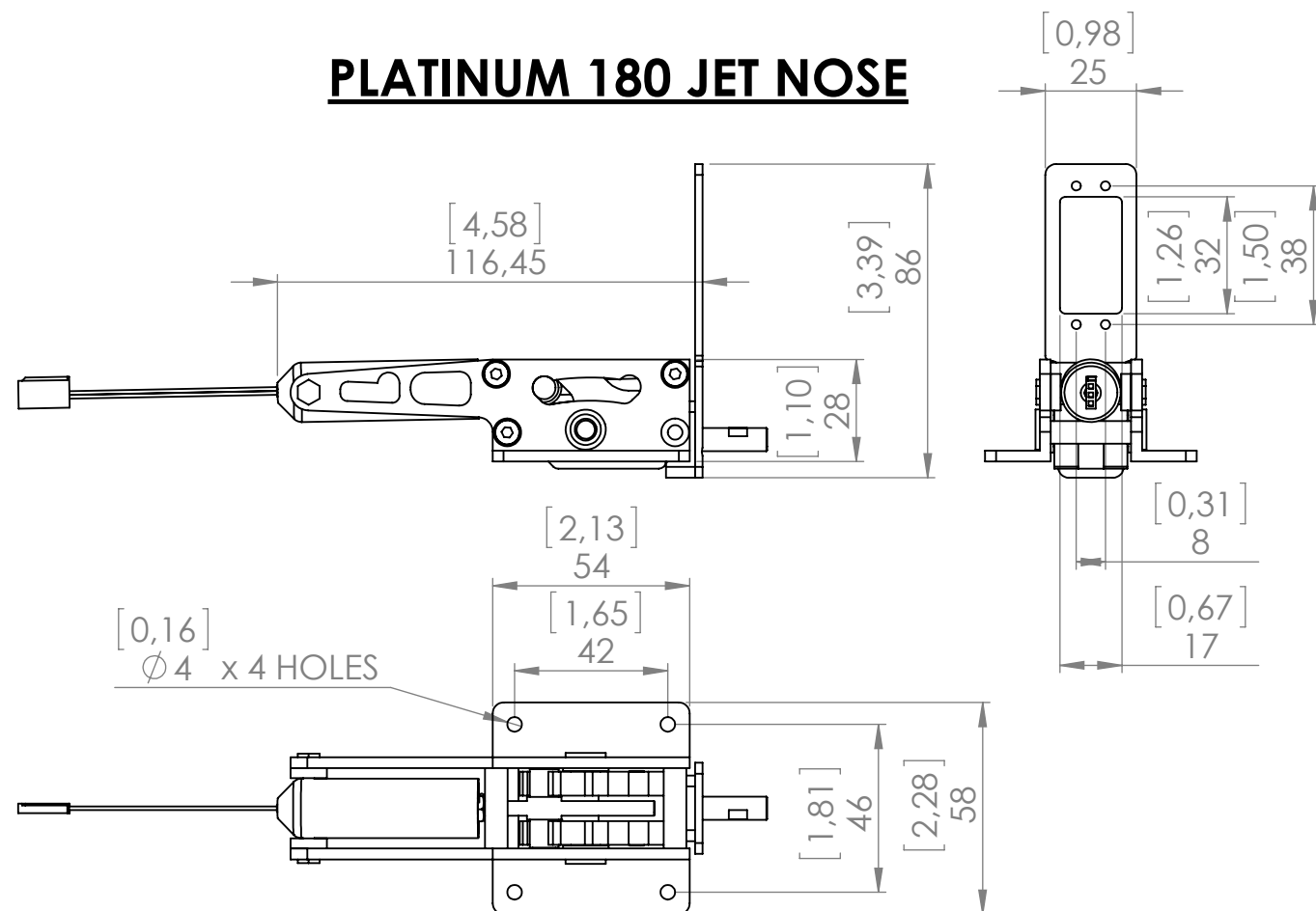
PLATINUM 180 WARBLER TAILWHEEL



PLATINUM 180 REGULAR NOSE




PLATINUM 180 JET NOSE



PLEASE NOTE:

DIMENSIONS ARE IN MILLIMETERS

DIMENSIONS IN BRACKETS ARE IN INCHES

UNLESS OTHERWISE SPECIFIED: DIMENSIONS ARE IN MILLIMETERS SURFACE FINISH: MACHINE TOLERANCES: LINEAR: 0.5 ANGULAR: 1		FINISH: N/A	DEBUR AND BREAK SHARP EDGES	DO NOT SCALE DRAWING	REVISION: 00															
<table border="1"> <thead> <tr> <th>NAME</th> <th>SIGNATURE</th> <th>DATE</th> </tr> </thead> <tbody> <tr> <td>DRAWN N. vd Merwe</td> <td></td> <td>2017/03/02</td> </tr> <tr> <td>CHK'D</td> <td></td> <td></td> </tr> <tr> <td>APPV'D</td> <td></td> <td></td> </tr> <tr> <td>MFG</td> <td></td> <td></td> </tr> </tbody> </table>			NAME	SIGNATURE	DATE	DRAWN N. vd Merwe		2017/03/02	CHK'D			APPV'D			MFG			 <p>DOWN AND LOCKED The Best in R/C Landing Gear</p>	TITLE: PLATINUM SERIES 180 NOSE	
NAME	SIGNATURE	DATE																		
DRAWN N. vd Merwe		2017/03/02																		
CHK'D																				
APPV'D																				
MFG																				
THIS DRAWING AND DESIGN REMAINS THE PROPERTY OF DOWN AND LOCKED PTY (LTD) AND MAY NOT BE REPRODUCED WITHOUT THE WRITTEN CONSENT OF DOWN AND LOCKED PTY (LTD)			DWG NO. P180N	A3																
WEIGHT: g			SCALE: 1:2	SHEET 1 OF 1																