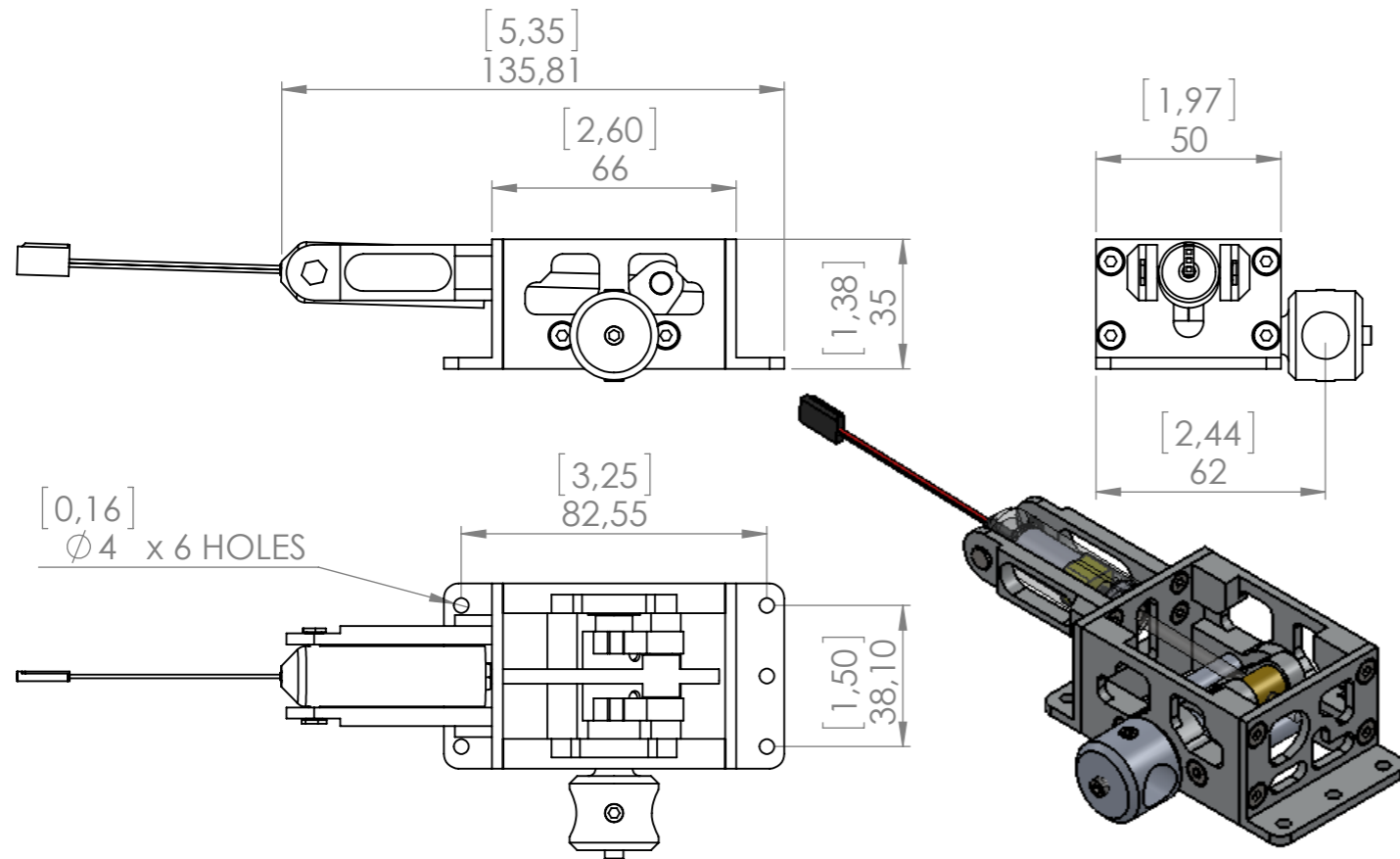
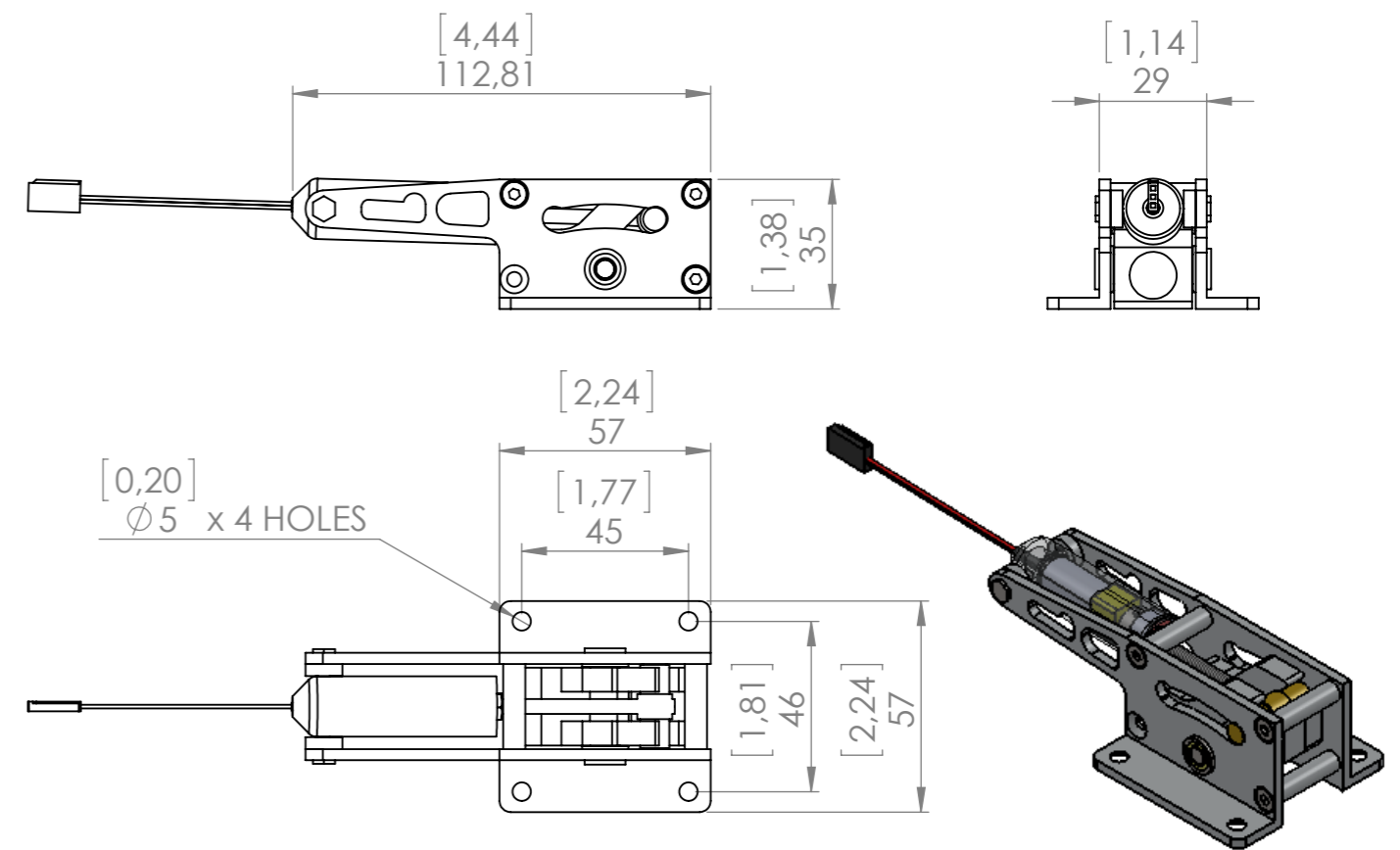


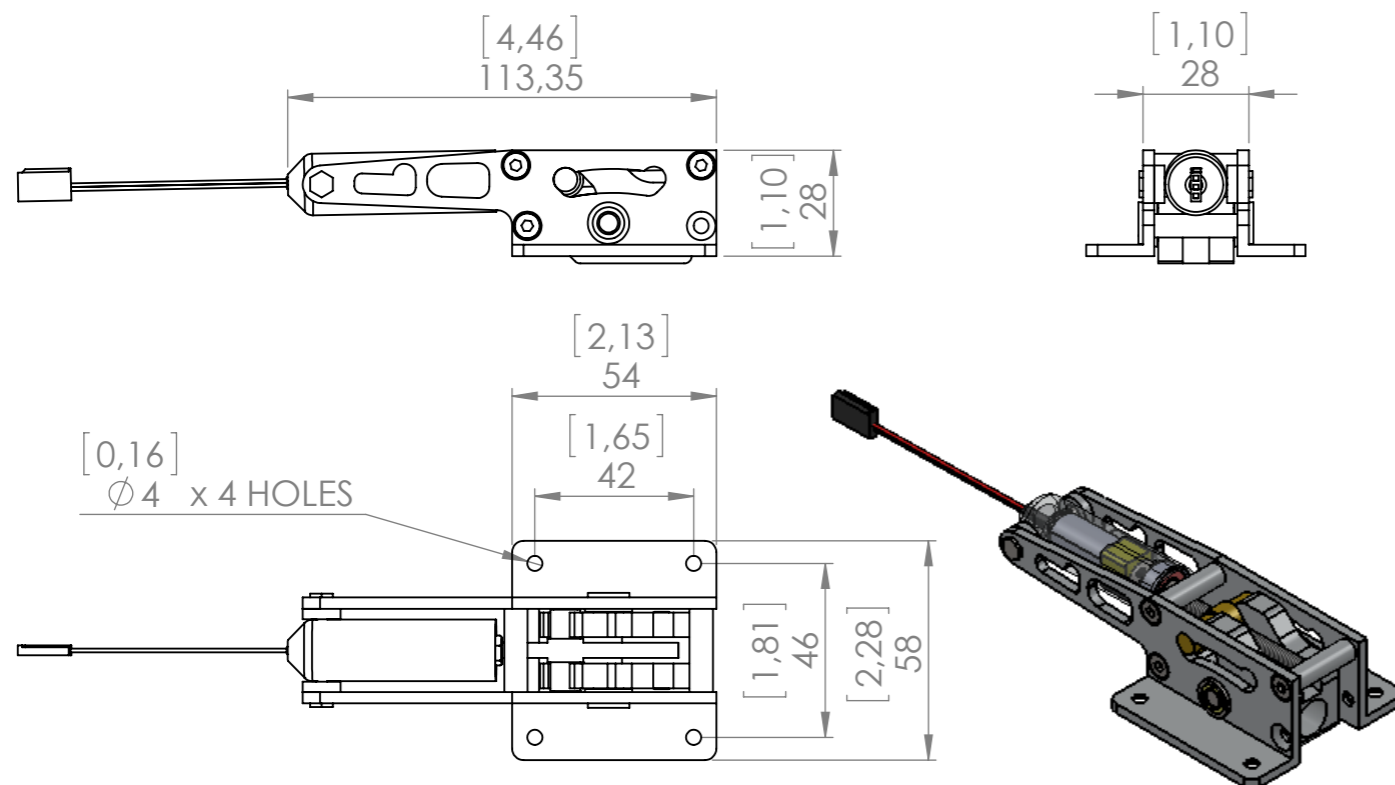
PLATINUM 180 WARBLER MAIN (AVAILABLE IN LH AND RH-SHOWN)



PLATINUM 180 REGULAR MAIN




PLATINUM 180 JET MAIN



PLEASE NOTE:

DIMENSIONS ARE IN MILLIMETERS

DIMENSIONS IN BRACKETS ARE IN INCHES

UNLESS OTHERWISE SPECIFIED: DIMENSIONS ARE IN MILLIMETERS SURFACE FINISH: MACHINE TOLERANCES: LINEAR: 0.5 ANGULAR: 1		FINISH: N/A	DEBUR AND BREAK SHARP EDGES	DO NOT SCALE DRAWING	REVISION: 00
NAME	SIGNATURE	DATE	 DOWN AND LOCKED The Best in R/C Landing Gear	TITLE: PLATINUM SERIES 180 MAIN	
DRAWN	N. vd Merwe	2017/03/02		DWG NO. P180M	
CHK'D				A3	
APPV'D				SCALE: 1:2	
MFG			WEIGHT: g		SHEET 1 OF 1
THIS DRAWING AND DESIGN REMAINS THE PROPERTY OF DOWN AND LOCKED PTY (LTD) AND MAY NOT BE REPRODUCED WITHOUT THE WRITTEN CONSENT OF DOWN AND LOCKED PTY (LTD)					