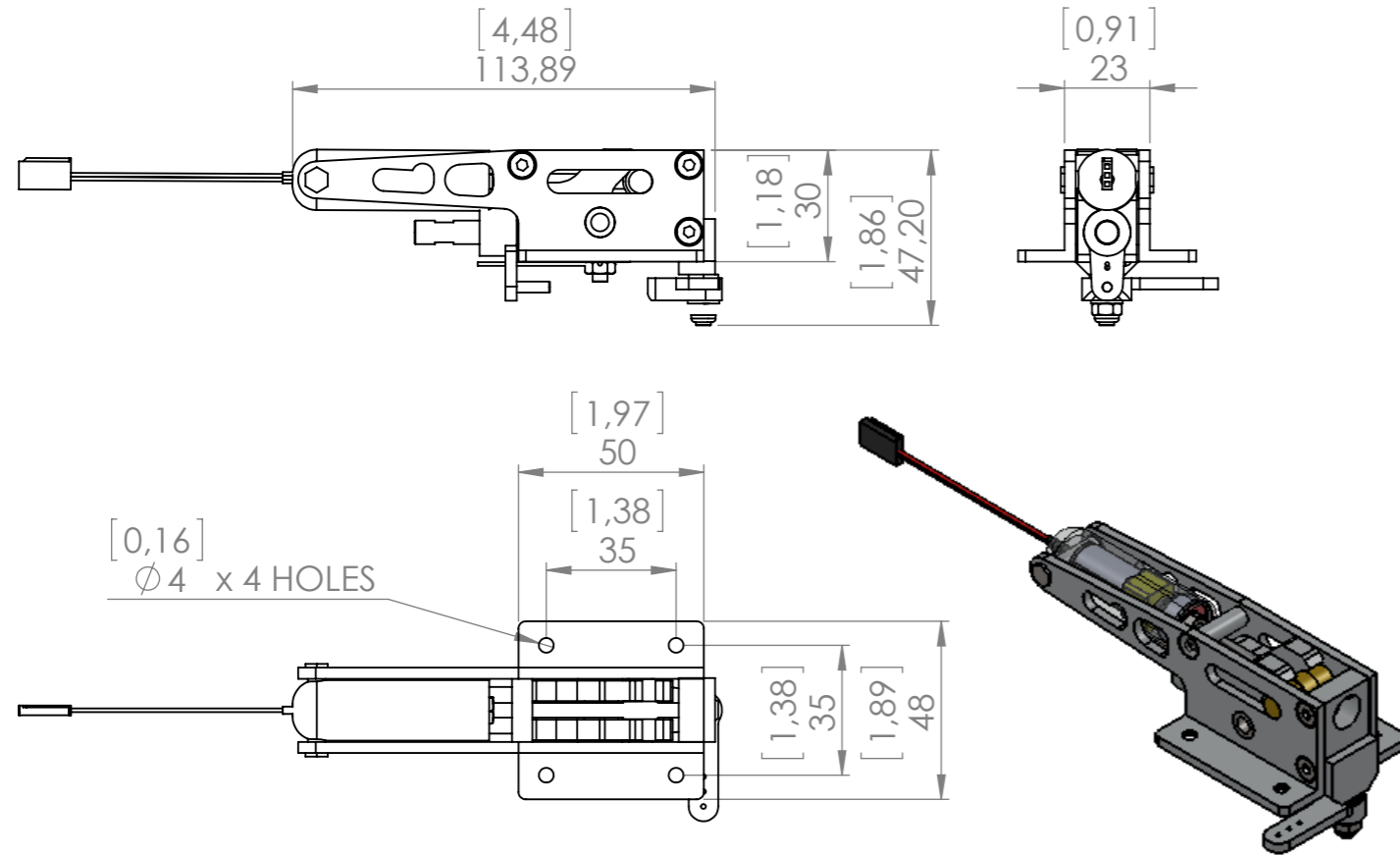
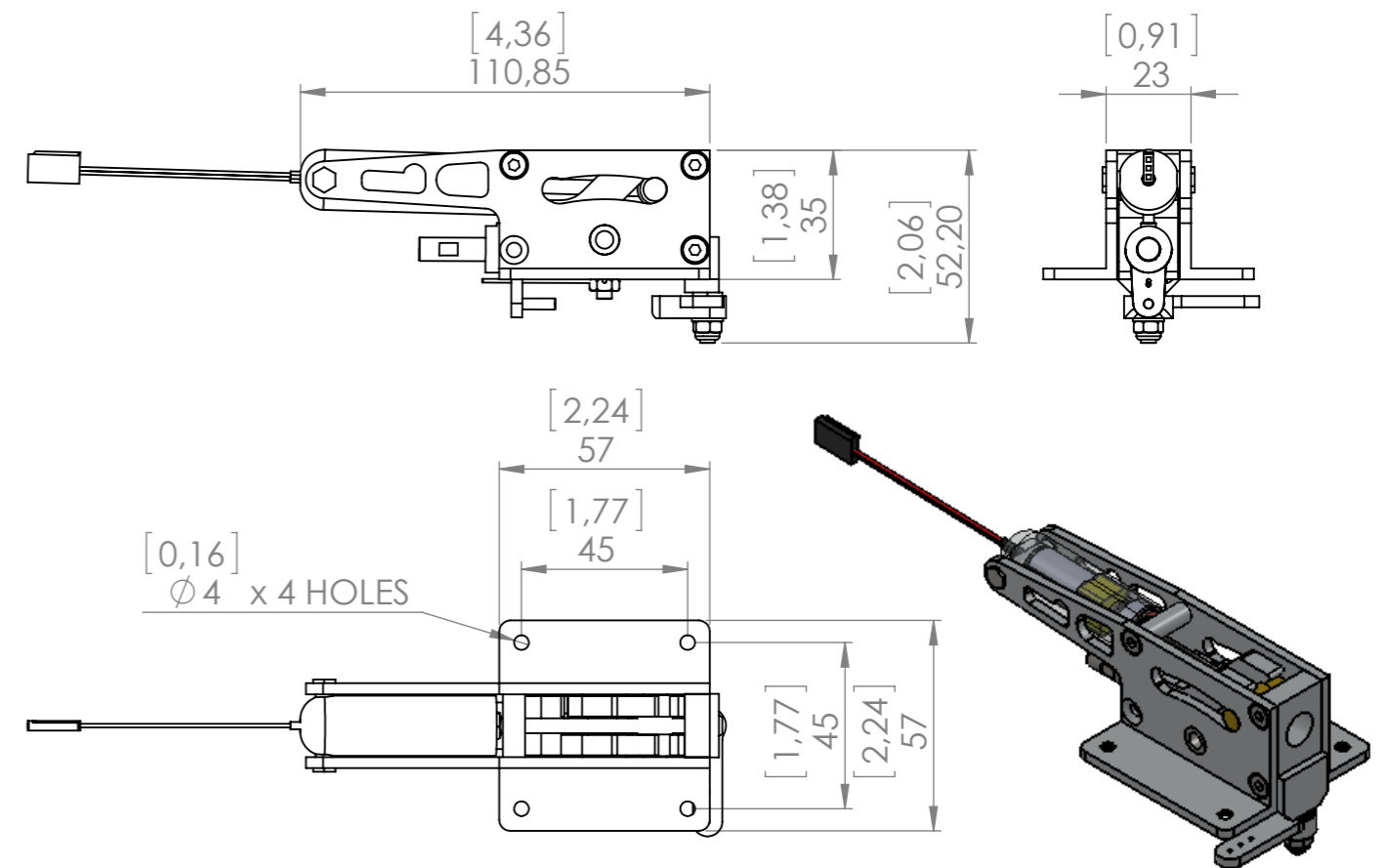


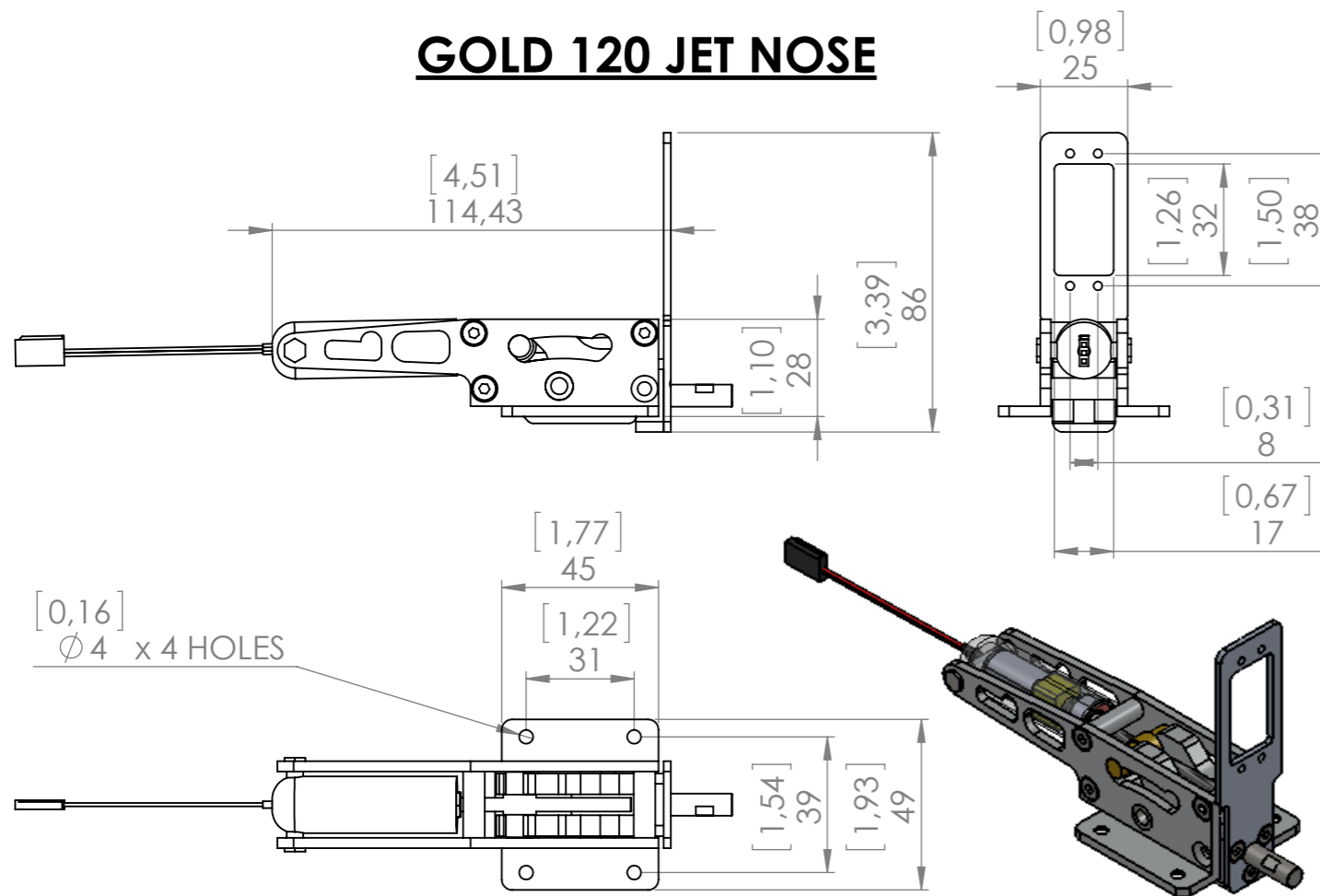
GOLD 120 COMPACT NOSE



GOLD 120 REGULAR NOSE




GOLD 120 JET NOSE



PLEASE NOTE:

DIMENSIONS ARE IN MILLIMETERS

DIMENSIONS IN BRACKETS ARE IN INCHES

UNLESS OTHERWISE SPECIFIED: DIMENSIONS ARE IN MILLIMETERS SURFACE FINISH: MACHINE TOLERANCES: LINEAR: 0.5 ANGULAR: 1		FINISH: N/A	DEBUR AND BREAK SHARP EDGES	DO NOT SCALE DRAWING	REVISION: 00
NAME	SIGNATURE	DATE	 DOWN AND LOCKED The Best in R/C Landing Gear	TITLE: GOLD SERIES 120 NOSE	
DRAWN	N. vd Merwe	2016/12/13		DWG NO. G120N	
CHK'D				A3	
APPV'D				SCALE: 1:2	
MFG				SHEET 1 OF 1	
THIS DRAWING AND DESIGN REMAINS THE PROPERTY OF DOWN AND LOCKED PTY (LTD) AND MAY NOT BE REPRODUCED WITHOUT THE WRITTEN CONSENT OF DOWN AND LOCKED PTY (LTD)			WEIGHT: g		