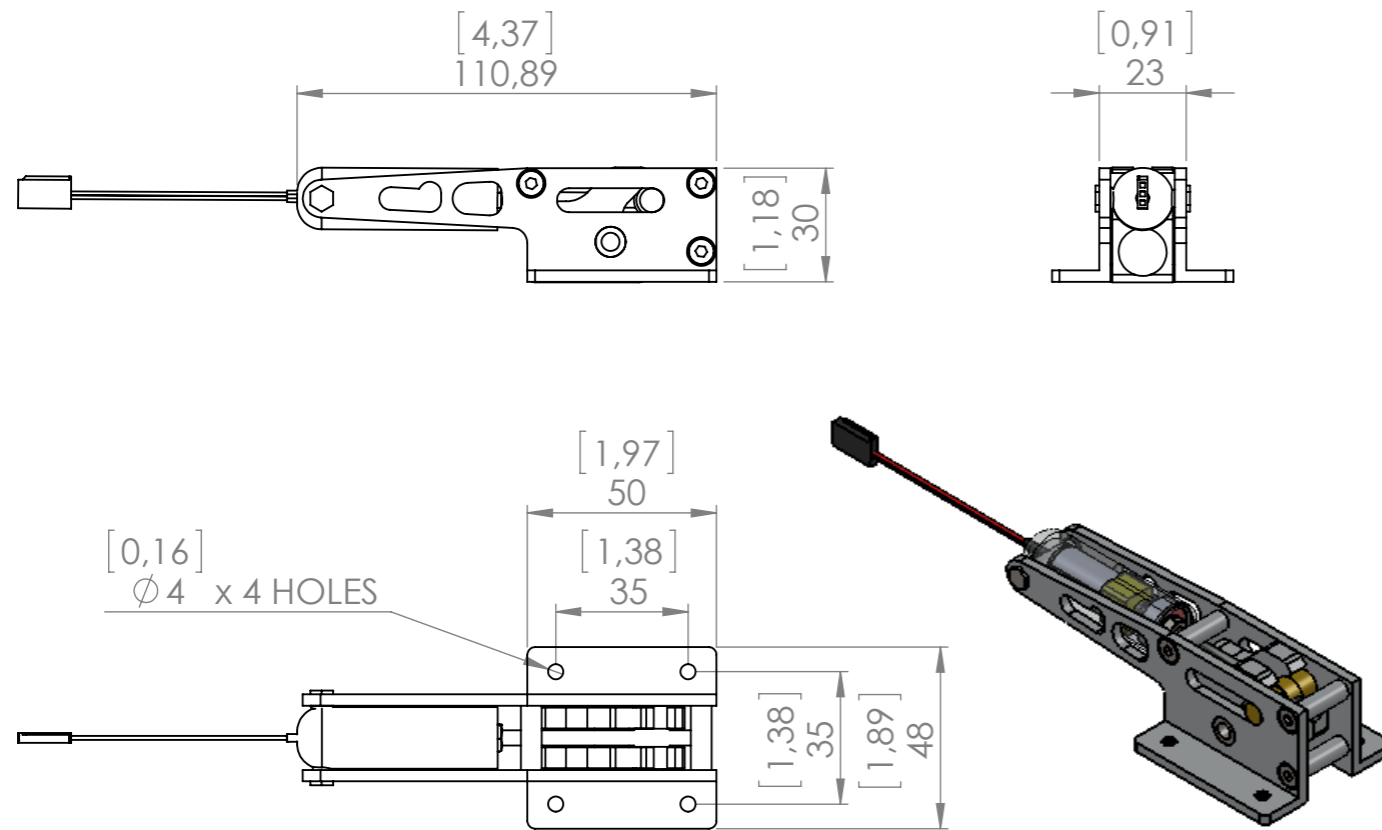
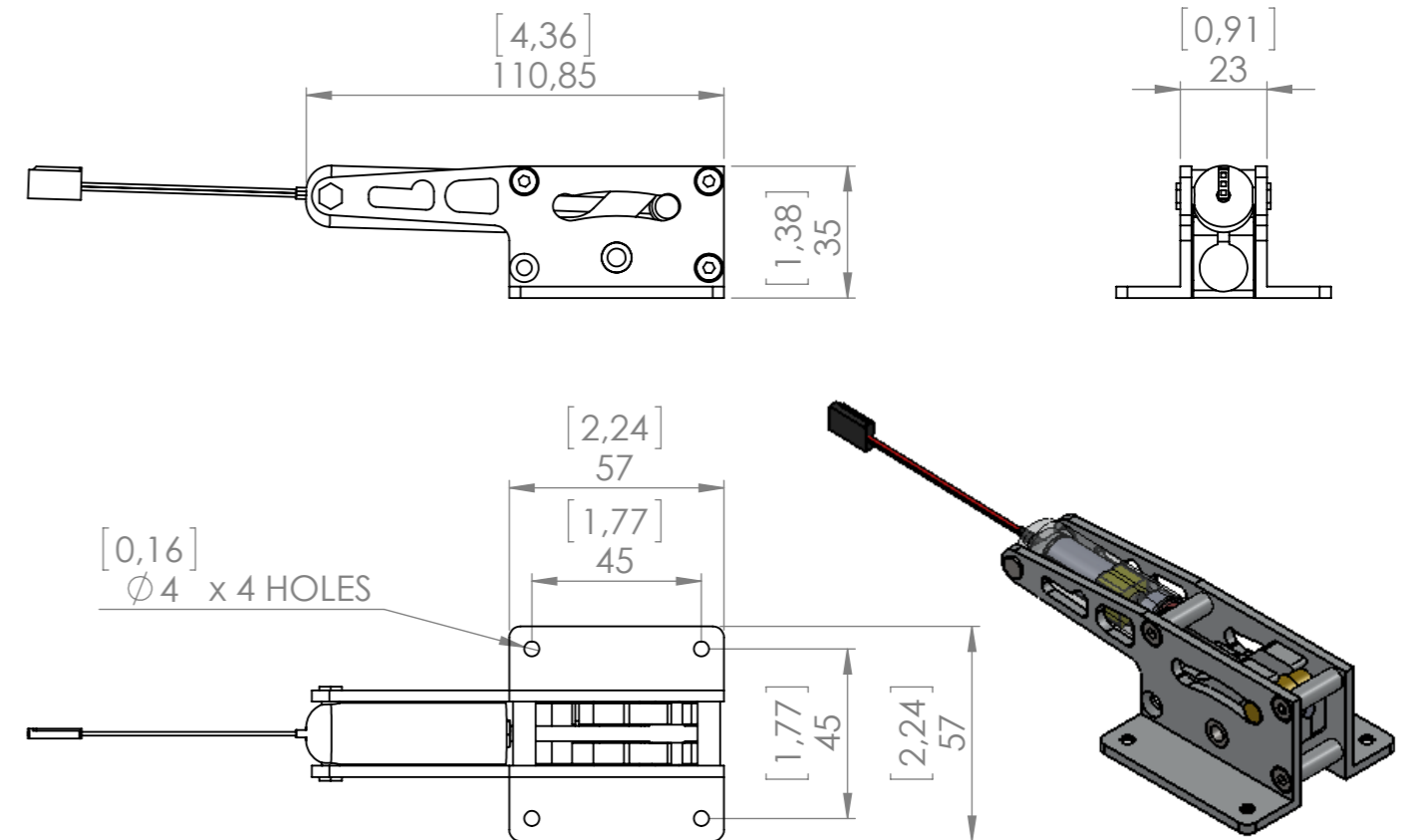


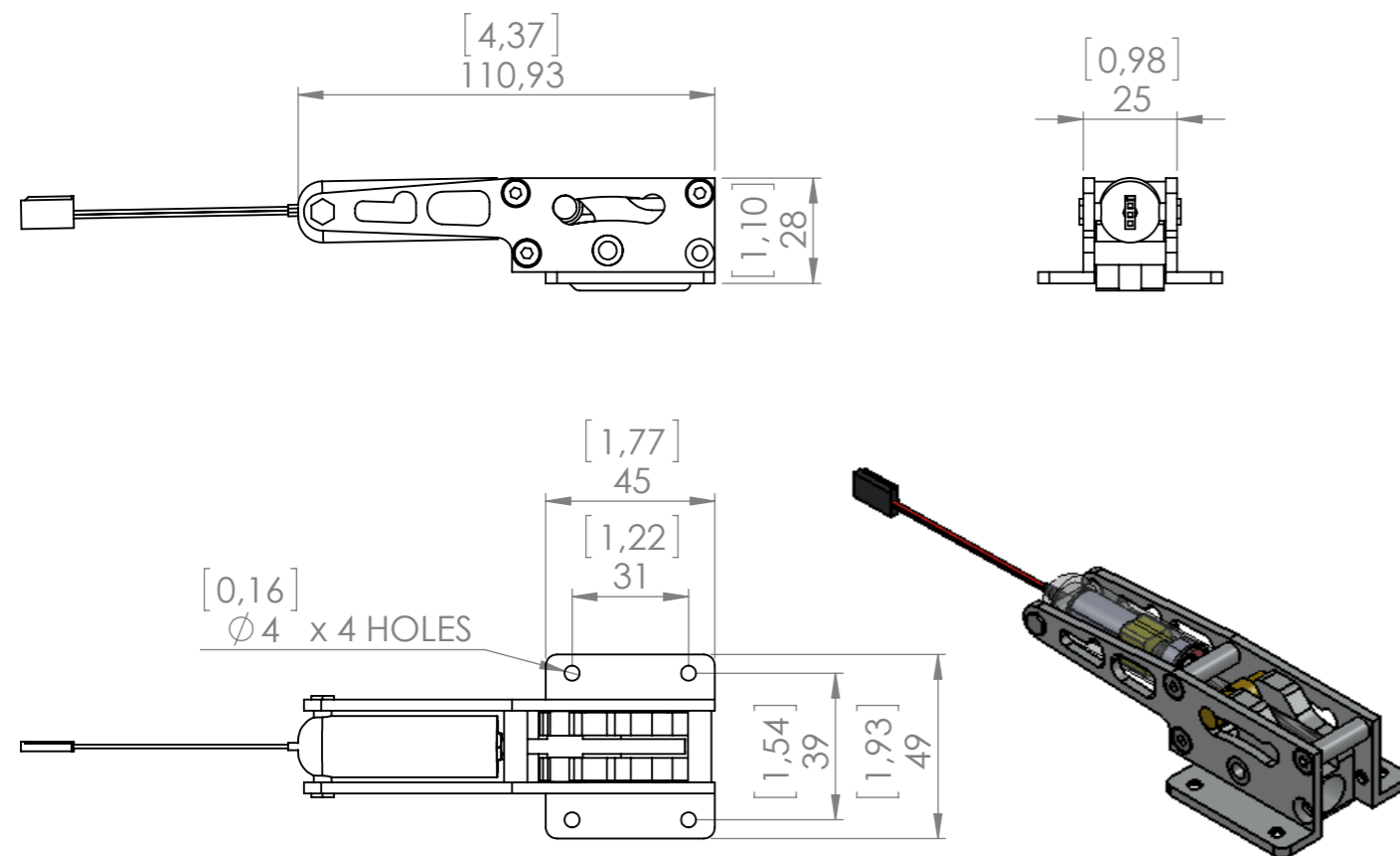
## GOLD 120 COMPACT MAINS



## GOLD 120 REGULAR MAINS




## GOLD 120 JET MAINS



### PLEASE NOTE:

DIMENSIONS ARE IN MILLIMETERS

DIMENSIONS IN BRACKETS ARE IN INCHES

UNLESS OTHERWISE SPECIFIED: DIMENSIONS ARE IN MILLIMETERS SURFACE FINISH: MACHINE TOLERANCES: LINEAR: 0.5 ANGULAR: 1		FINISH:  N/A	DEBUR AND BREAK SHARP EDGES	DO NOT SCALE DRAWING	REVISION: 00
NAME	SIGNATURE	DATE	 <b>DOWN AND LOCKED</b> The Best in R/C Landing Gear	TITLE: <b>GOLD SERIES 120 MAIN</b>	
DRAWN	N. vd Merwe	2016/12/13		DWG NO. <b>G120M</b>	
CHK'D				A3	
APPV'D				SCALE: 1:2	
MFG				SHEET 1 OF 1	
THIS DRAWING AND DESIGN REMAINS THE PROPERTY OF DOWN AND LOCKED PTY (LTD) AND MAY NOT BE REPRODUCED WITHOUT THE WRITTEN CONSENT OF DOWN AND LOCKED PTY (LTD)			WEIGHT: g		