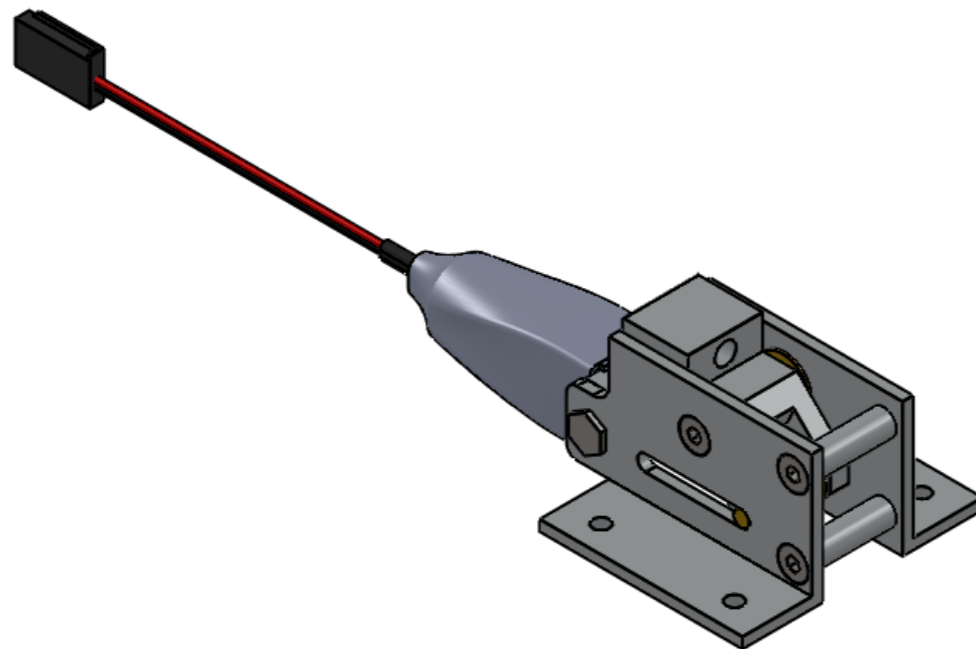
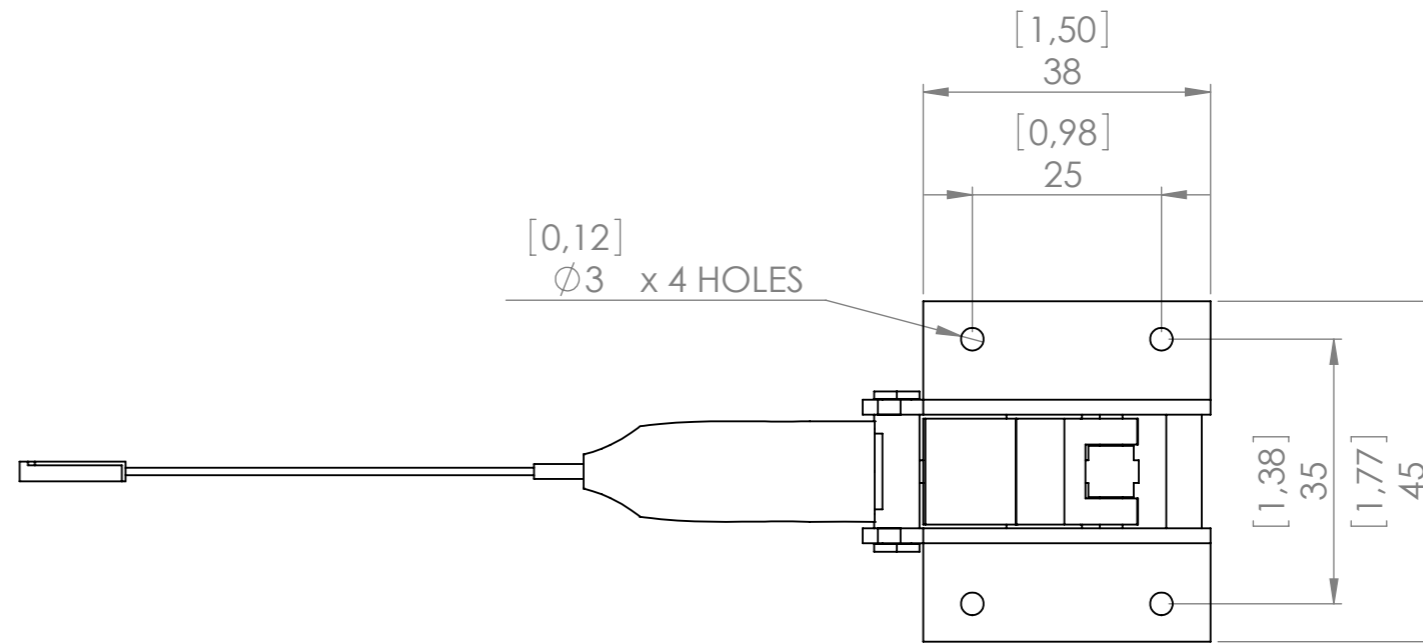
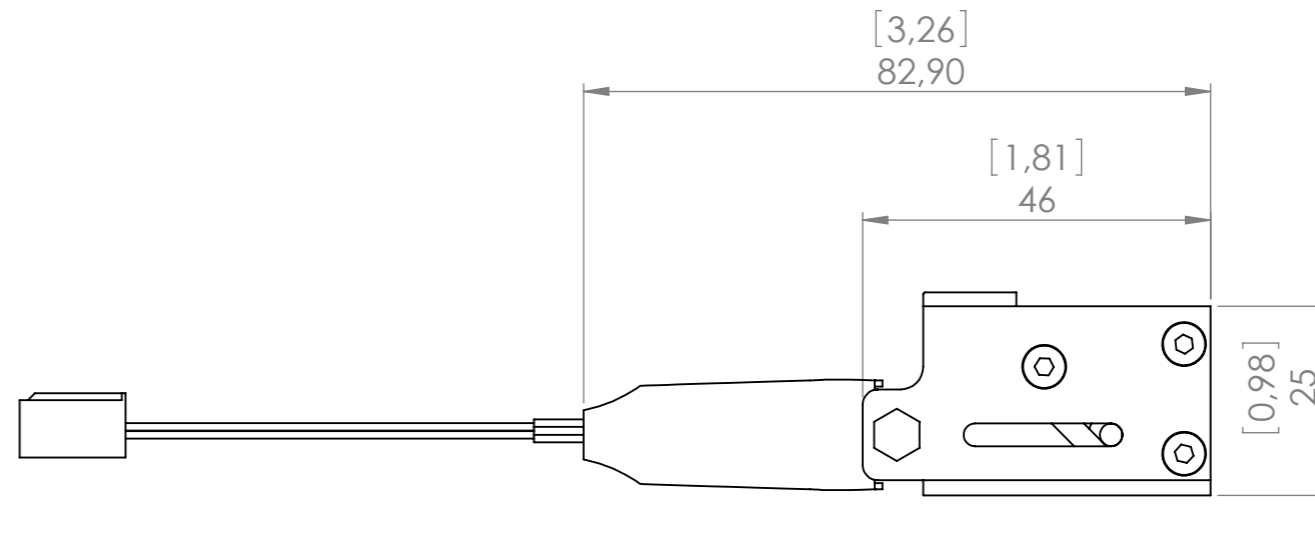
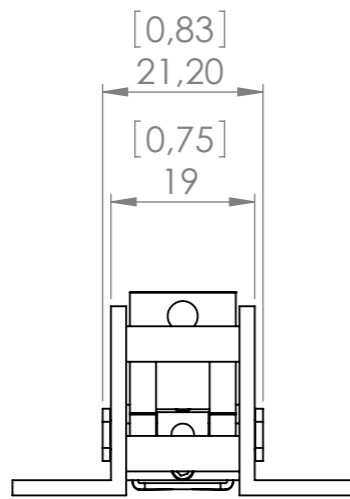



IF IN DOUBT ASK



DIMENSIONS IN "[]" INCHES

UNLESS OTHERWISE SPECIFIED: DIMENSIONS ARE IN MILLIMETERS SURFACE FINISH: MACHINE TOLERANCES: LINEAR: 0.5 ANGULAR: 1		FINISH:		DEBUR AND BREAK SHARP EDGES		DO NOT SCALE DRAWING		REVISION: 00	
NAME	SIGNATURE	DATE	 The Best in R/C Landing Gear		TITLE: DL60 STEERABLE NOSE UNIT - FLAT MOUNT UNIT 90° - 4mm				
DRAWN	N. vd Merwe	2016/10/21			DWG NO. S60NF90-4mm		A3		
CHK'D					MATERIAL:				
APPV'D					WEIGHT:				
MFG					SCALE:1:2		SHEET 2 OF 2		
Q.A									