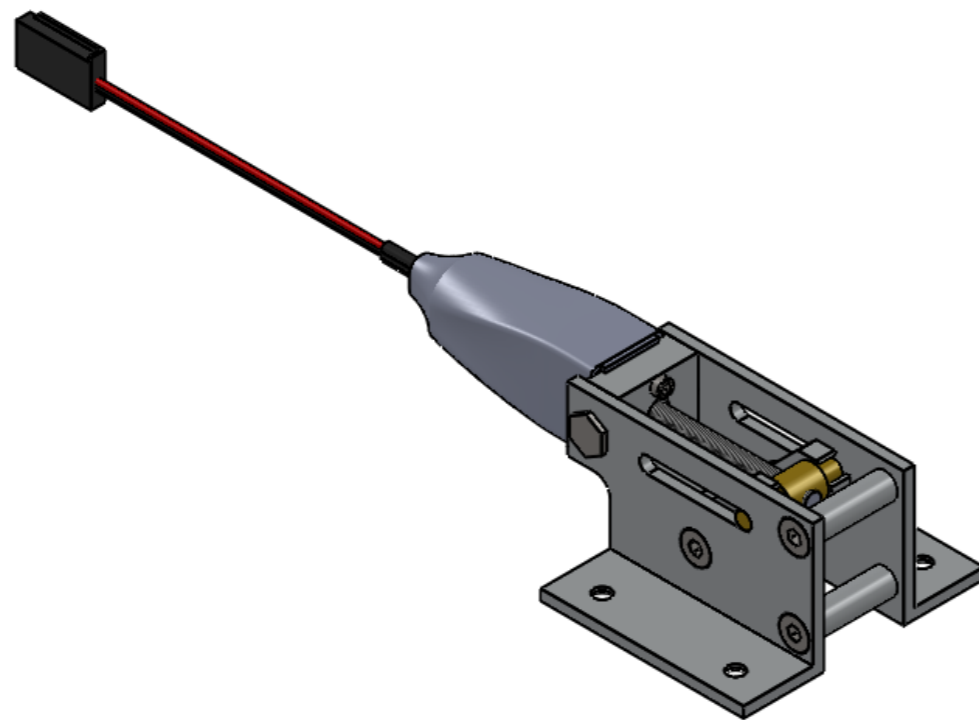
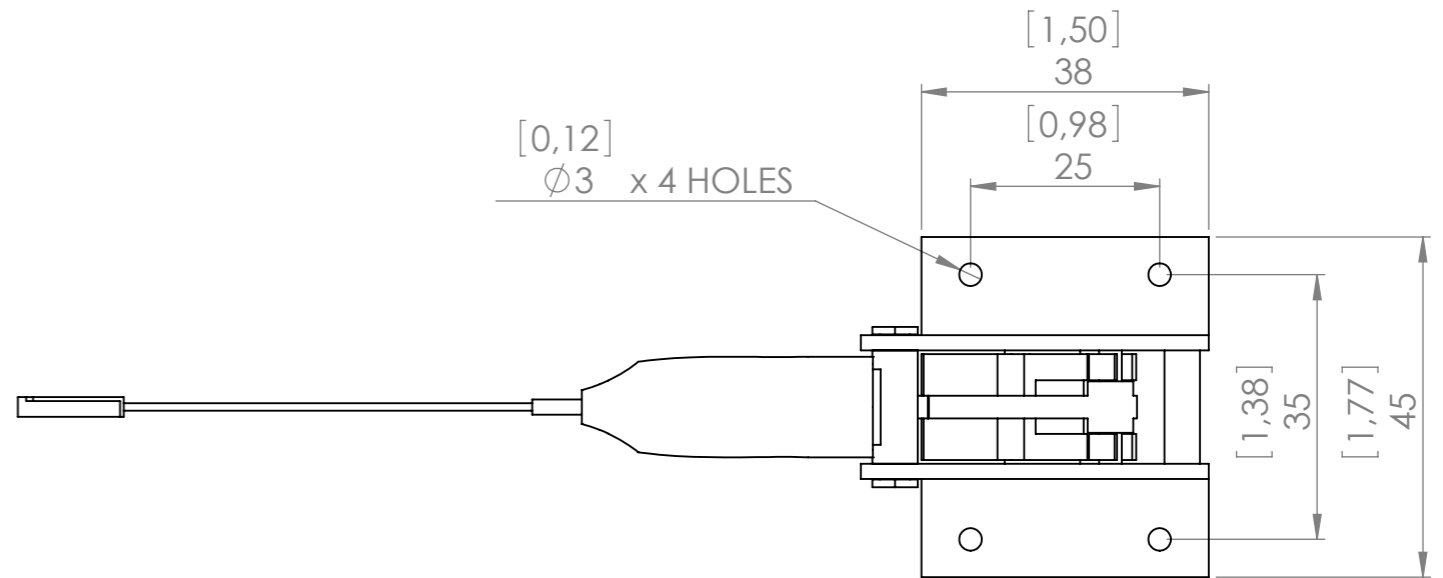
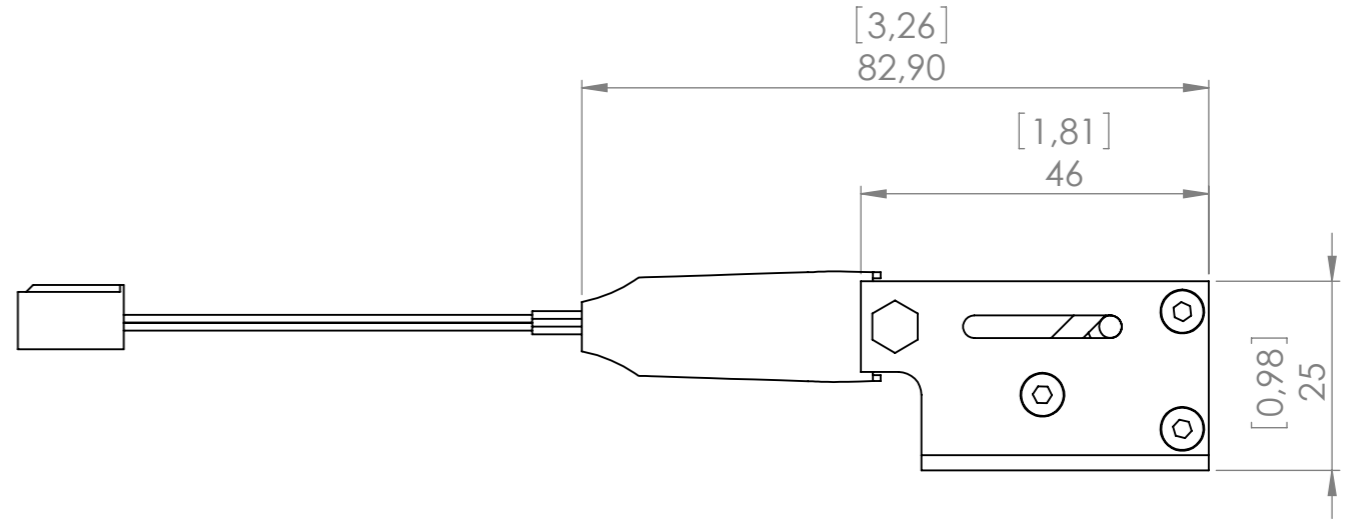
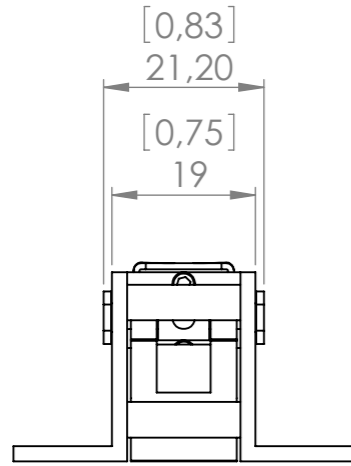



IF IN DOUBT ASK



DIMENSIONS IN "[ ]" INCHES

UNLESS OTHERWISE SPECIFIED: DIMENSIONS ARE IN MILLIMETERS SURFACE FINISH: MACHINE TOLERANCES: LINEAR: 0.5 ANGULAR: 1		FINISH:	DEBUR AND BREAK SHARP EDGES	DO NOT SCALE DRAWING	REVISION: 00
NAME	SIGNATURE	DATE	 The Best in R/C Landing Gear	TITLE: DL60 MAIN UNIT 90° - 4mm	
DRAWN N. vd Merwe		2016/10/21		DWG NO. S60MR90-4mm	
CHK'D				A3	
APPV'D					
MFG					
Q.A					
MATERIAL:			WEIGHT:		SCALE: 1:2
					SHEET 2 OF 2