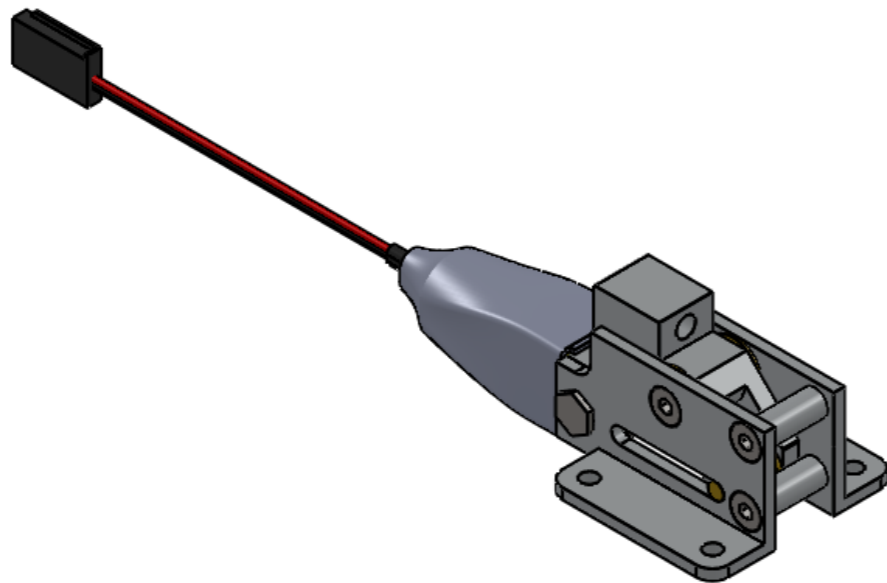
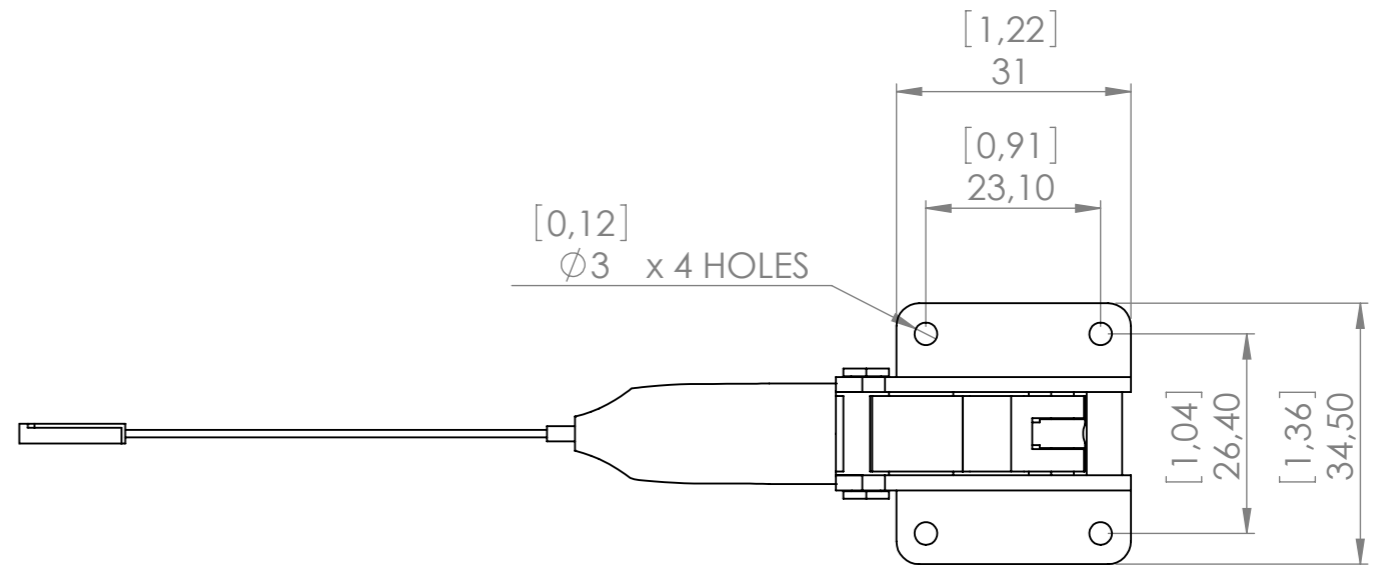
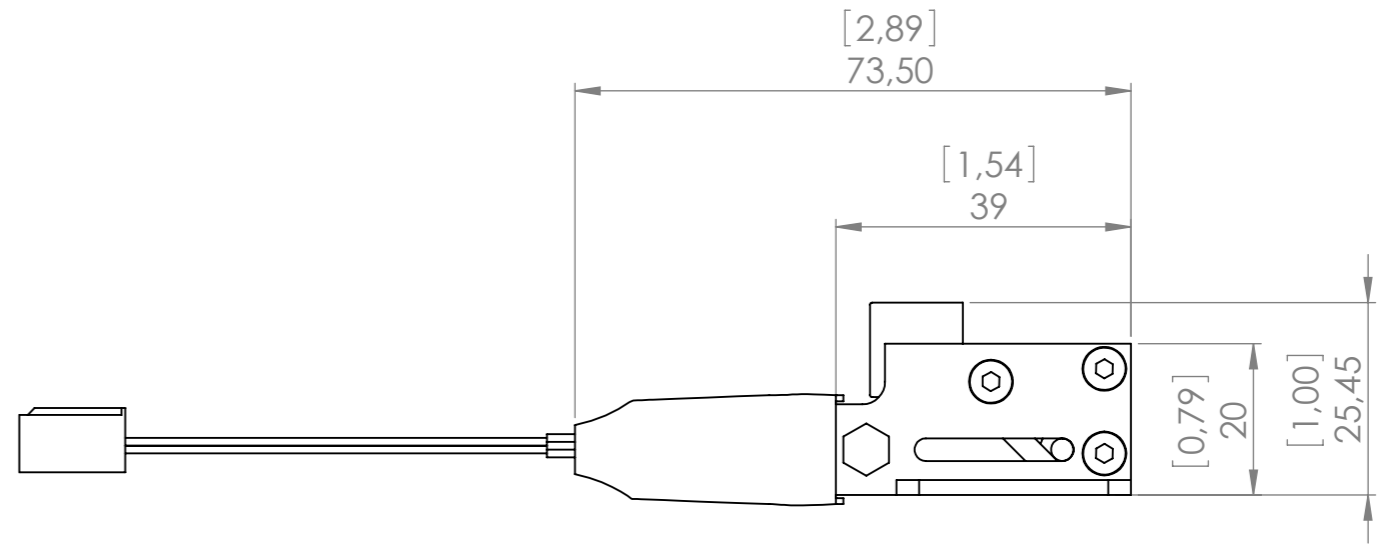
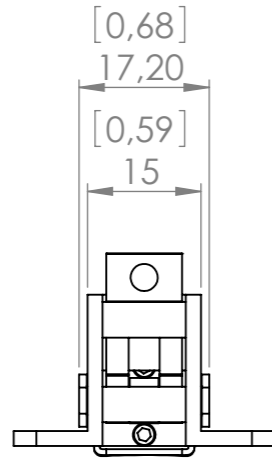



IF IN DOUBT ASK



DIMENSIONS IN "[]" INCHES

UNLESS OTHERWISE SPECIFIED: DIMENSIONS ARE IN MILLIMETERS SURFACE FINISH: MACHINE TOLERANCES: LINEAR: 0.5 ANGULAR: 1		FINISH:	DEBUR AND BREAK SHARP EDGES	DO NOT SCALE DRAWING	REVISION: 01
NAME	SIGNATURE	DATE	 <p>DOWN LOCKED The Best in R/C Landing Gear</p>	TITLE: DL30 STEERABLE NOSE UNIT - FLAT MOUNT UNIT 90°	
DRAWN N. vd Merwe		2016/10/21		DWG NO. B30NF90	A3
CHK'D				MATERIAL:	
APPV'D				WEIGHT:	
MFG				SCALE: 1:2	
Q.A			SHEET 2 OF 2		