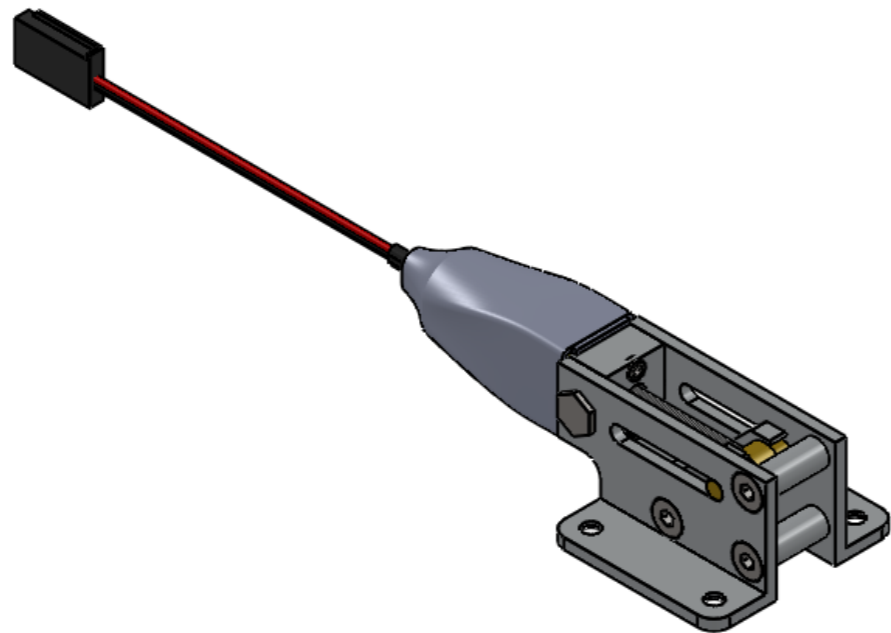
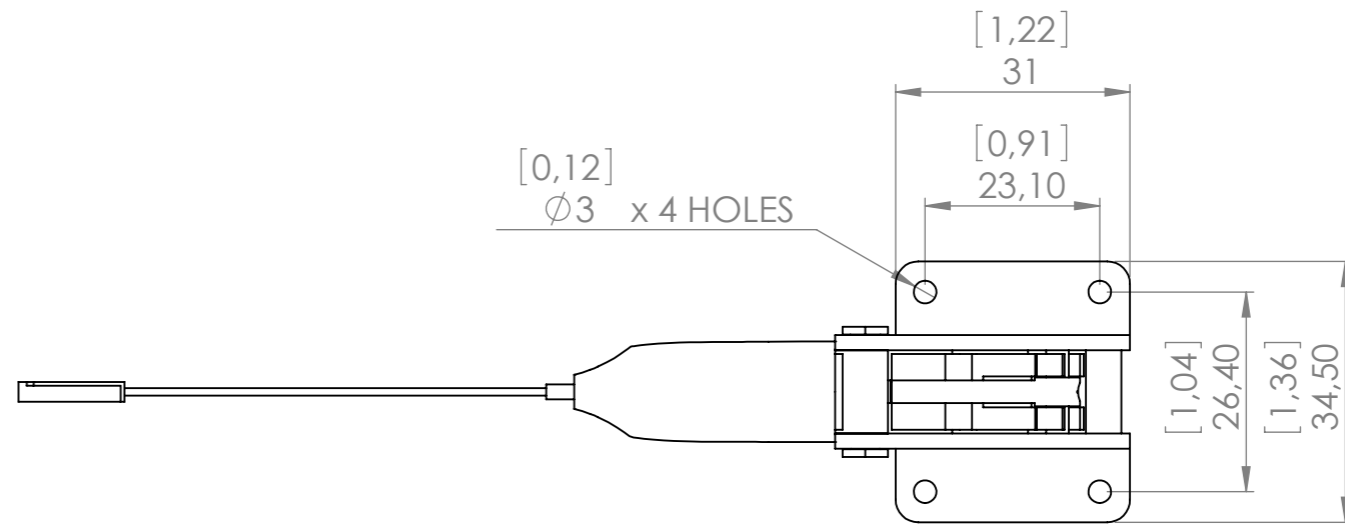
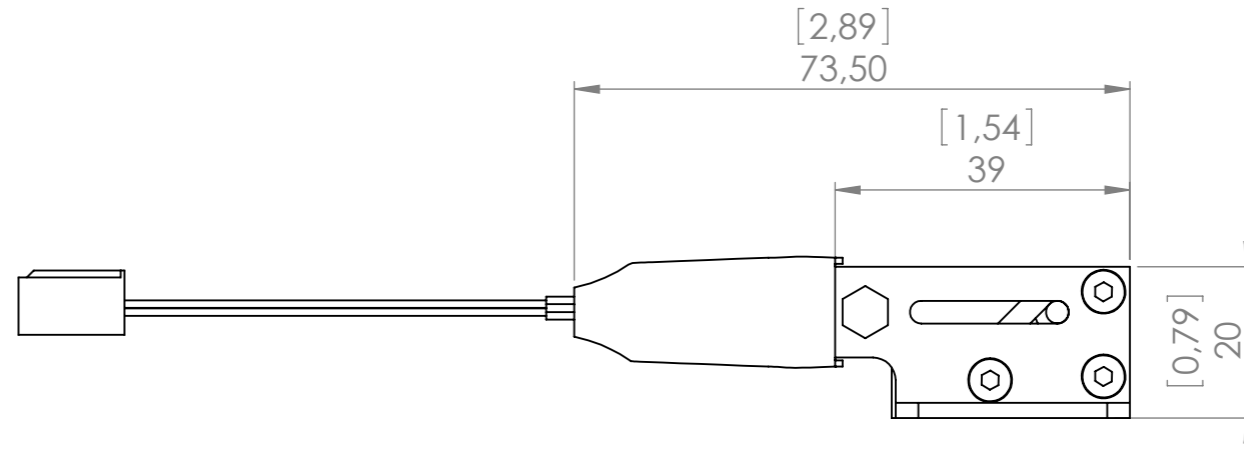
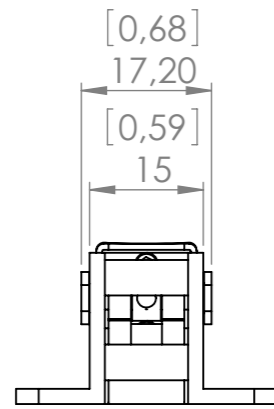



IF IN DOUBT ASK



DIMENSIONS IN "[]" INCHES

UNLESS OTHERWISE SPECIFIED: DIMENSIONS ARE IN MILLIMETERS SURFACE FINISH: MACHINE TOLERANCES: LINEAR: 0.5 ANGULAR: 1			FINISH:	DEBUR AND BREAK SHARP EDGES	DO NOT SCALE DRAWING	REVISION: 01
NAME	SIGNATURE	DATE			TITLE: DL30 MAIN UNIT 90°	
DRAWN N. vd Merwe		2016/10/21			DWG NO. B30MR90	
CHK'D					A3	
APPV'D					SCALE: 1:2	
MFG					SHEET 2 OF 2	
Q.A			WEIGHT:			